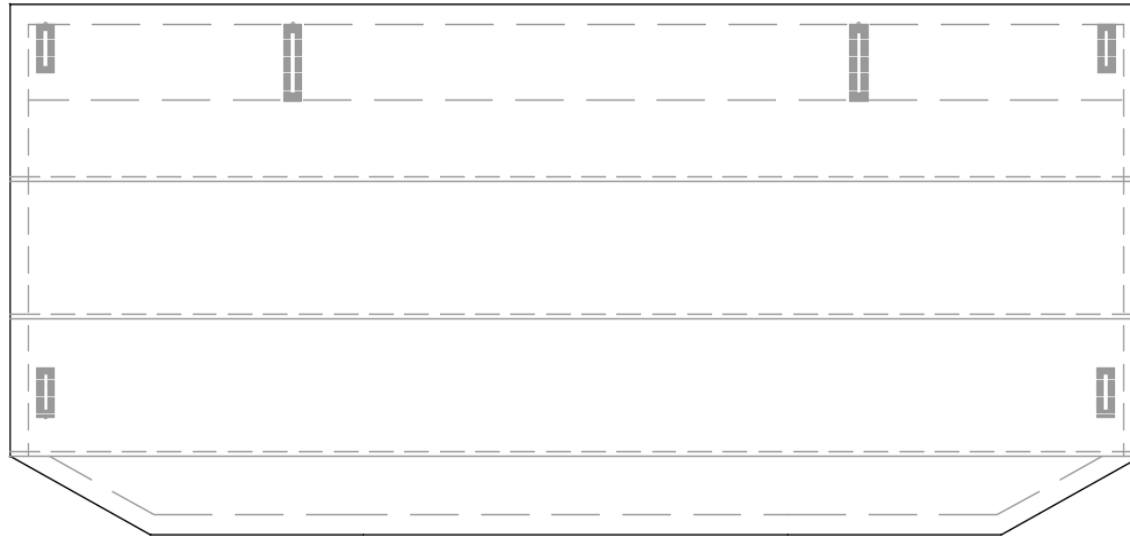


DIY Rectangular Face Mask

Third Generation



Please download and read the document: http://www.keywild.com/facemask/DIY_Cloth_FaceMask_General_Notes.pdf

This document/file is placed in the **PUBLIC DOMAIN**.

Disclaimer: The author assumes no liability for the accuracy, fitness or application of the information or design(s) herein.
Lewis Balentine, Houston, Texas, 22 April 2020

Patterns and Templates

At the end of this document are a series of patterns and templates that can be printed and used to cut out or mark the fabric. Each sheet was drawn in a CAD system and exported as a single US letter size page to the PDF file format before being appended to this document. Therefore they have a different numbering system that goes from sheet 1 to 9. Stitching is shown with a orange color. The fabric is cut as a simple 8-3/4 inch square so you should not need a cutting pattern but one is provided. It does have to be pieced together from two pages. Each page of the cutting pattern has a ruler so that you can verify the print comes out to scale.

Sheet	Description	Remark
1	Pattern with dimensions at 3/4 scale, Internal seams	
2	Nose-Piece Pocket button hole detail	
3	External seams	
4	Pleat Template	
5	Pleats and Strap button holes	
6	Photo	
7	Full scale pattern (<i>top half</i>)	
8	Full scale pattern (<i>bottom half</i>)	

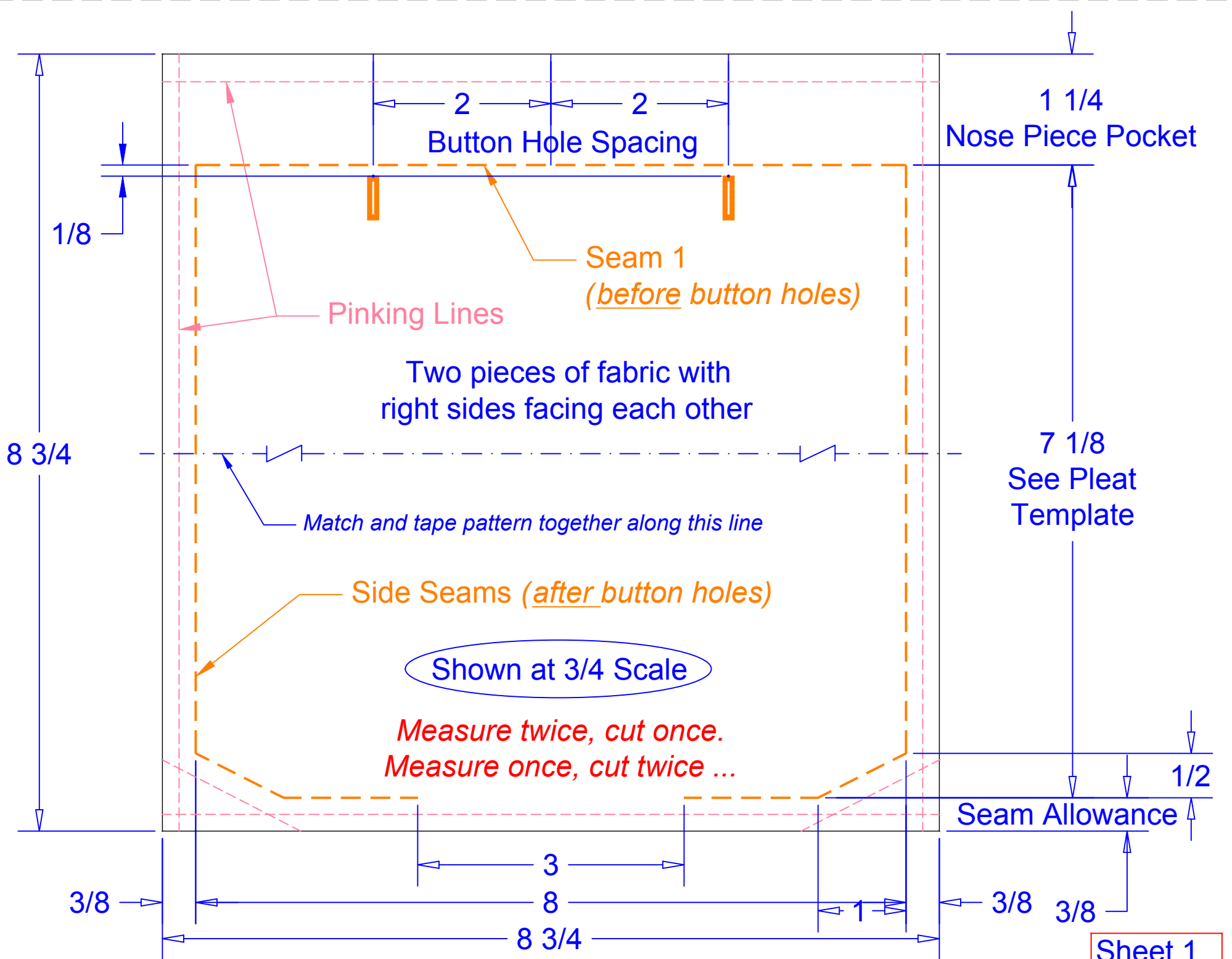
Construction

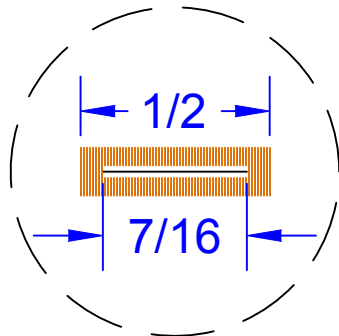
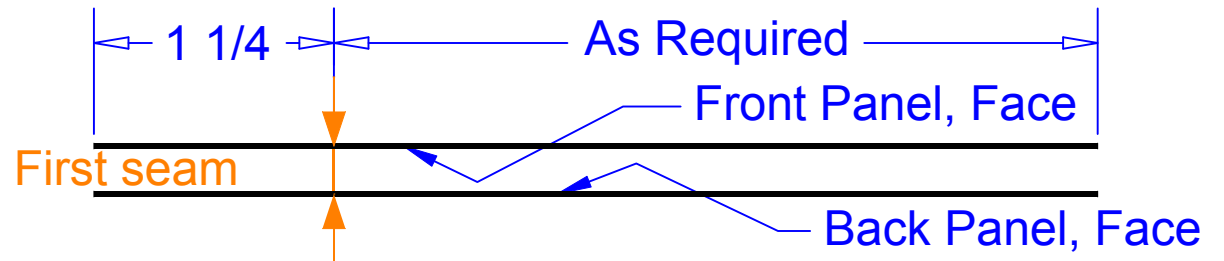
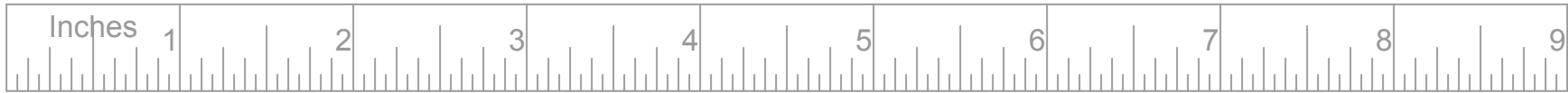
There are a eleven steps in construction of this face mask.

- 1) Cut out the mask panel material, iron, align and pin with right sides facing each other
- 2) Sew the top seam
- 3) Open up flat and sew the two button holes for the nose-piece pocket 1/8 inch from seam
- 4) Cut slots in button holes (*you will be most unhappy if you forget this step*)
- 5) Fold faces together and sew the side seams. I trim the excess seam allowance material with pinking shears afterwards.
- 6) Turn inside out and iron. Be sure to poke the corners out.
- 7) Sew the nose-piece pocket seam and continue along all four sides
- 8) Use the pleat template to mark the pleat locations, hand stitch 'tack' in place and iron
- 9) Sew pintuck along bottom edge of each pleat
- 10) Over stitch the end seams to lock the pleats in place
- 11) Sew the four 1/ 4 inch button holes for the straps

... Laundry and Finish

Put the completed mask through the normal laundry cycle with bleach and fabric softener. Iron as needed. Insert the nose piece (*or not*) and attached your choice of straps.



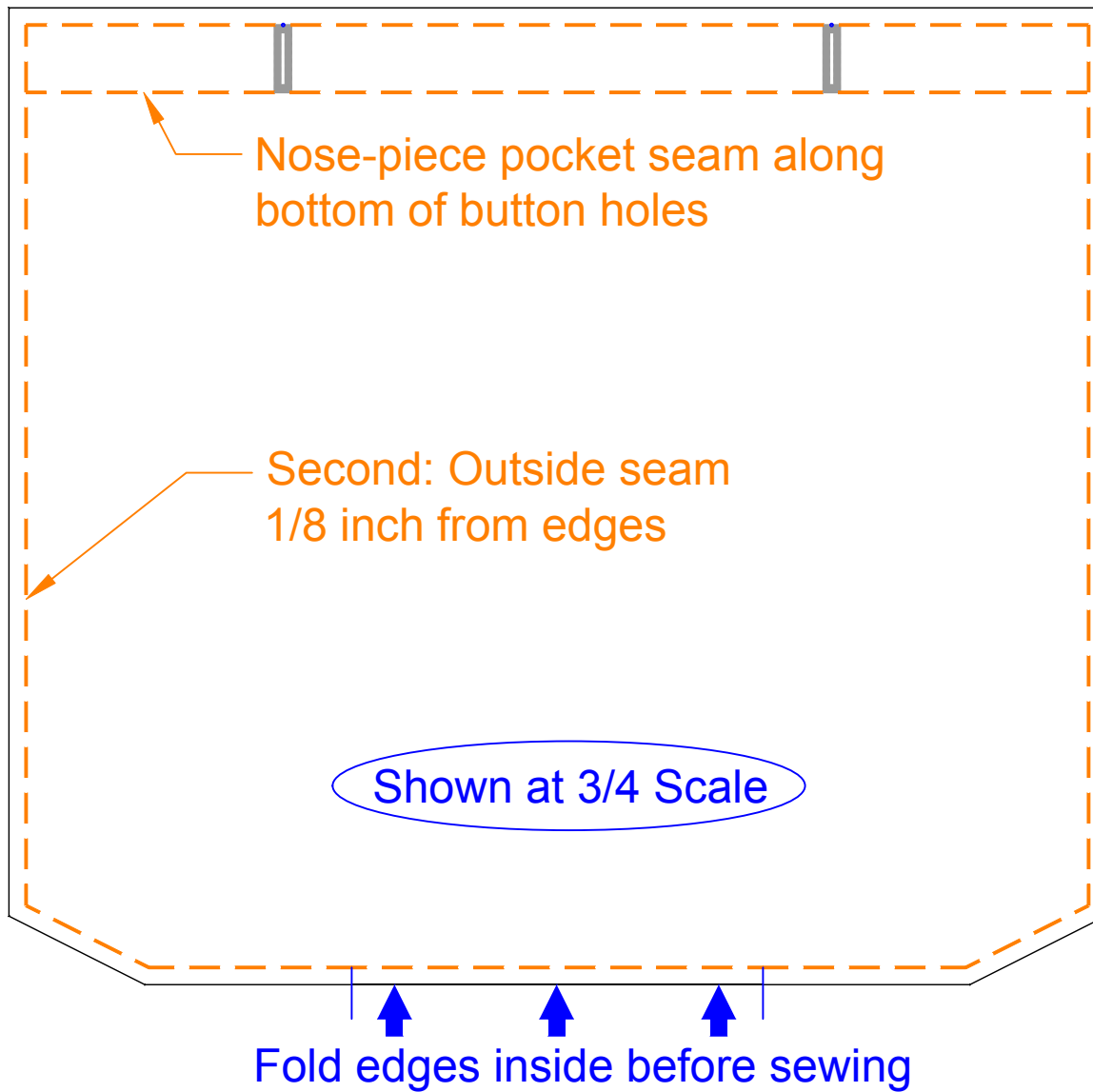


7/16 button hole (1/2 actual width)

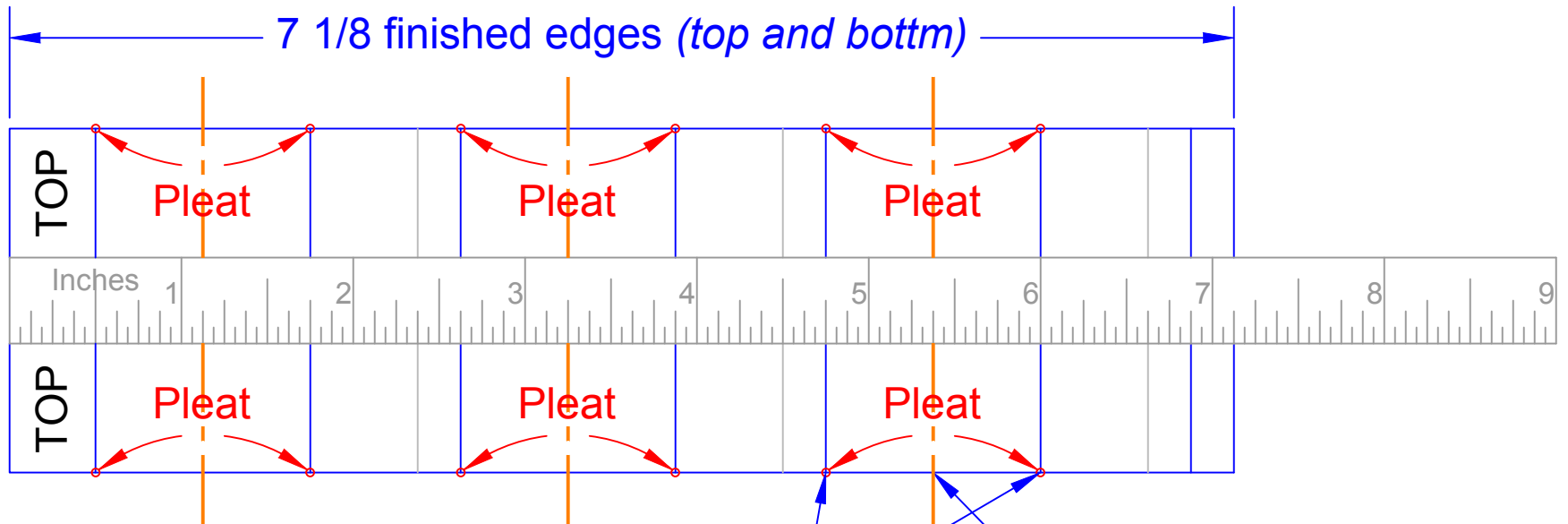
Fold Face up



Do not forget to cut the openings in the buton holes before the next step

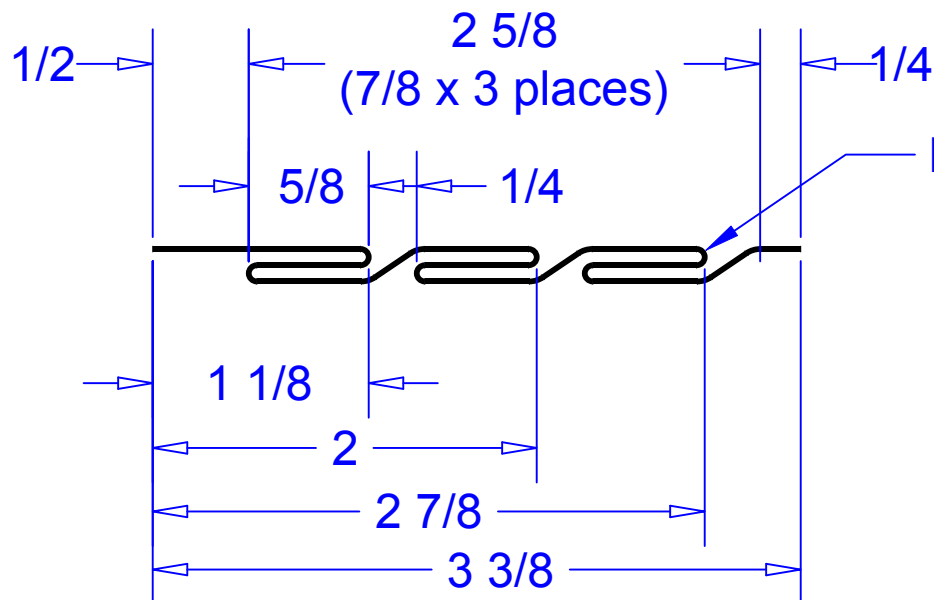


Turn mask inside out so that right sides are on the exterior.
Poke seams and corners out. Iron flat. Sew seams.

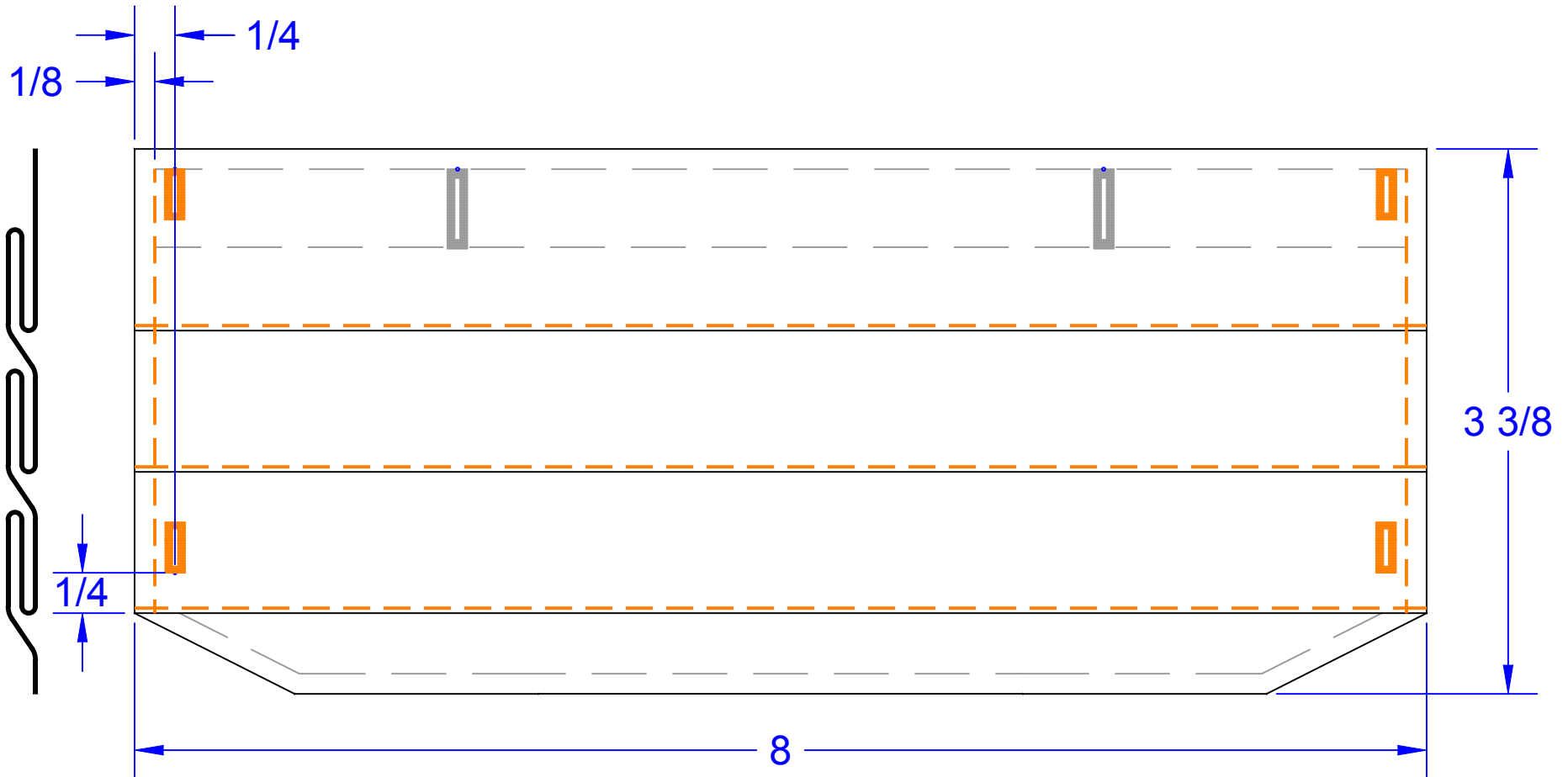
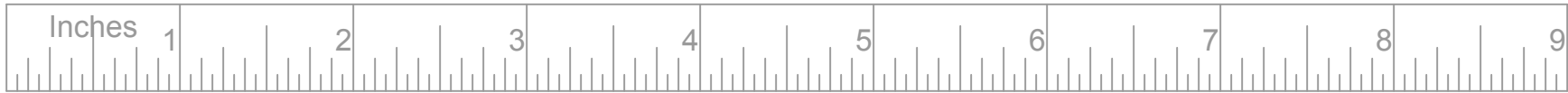


Hand 'tack' these points together before machine sewing in place.

Cut template out and fold along long edges.



Pin Tuck Bottom of Pleats

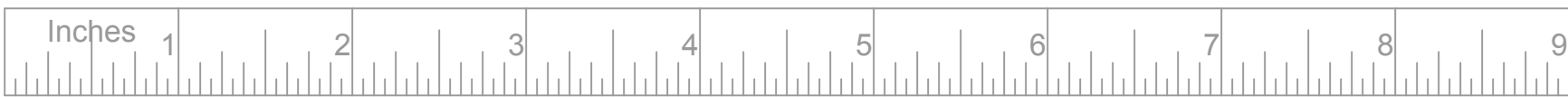
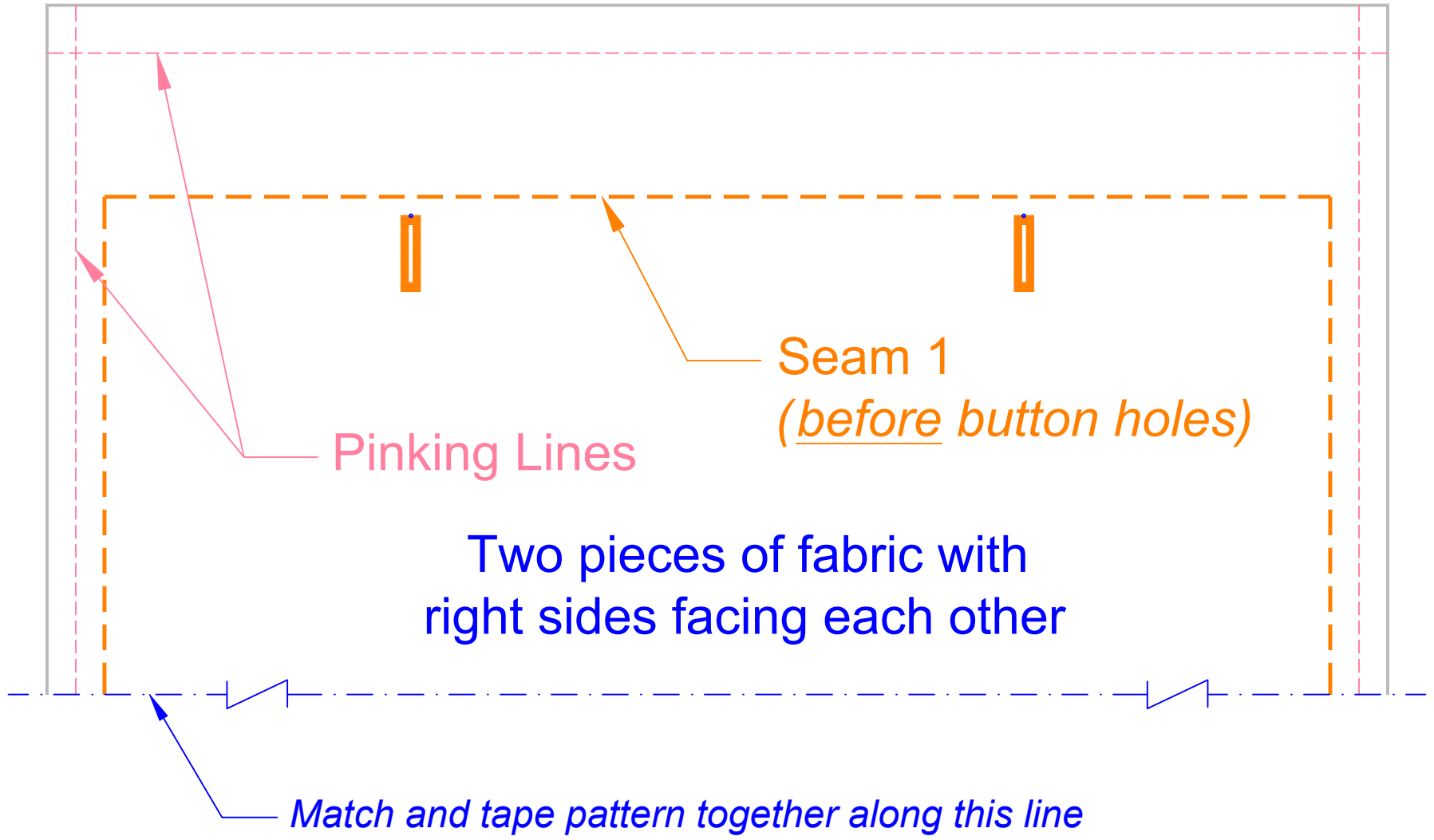


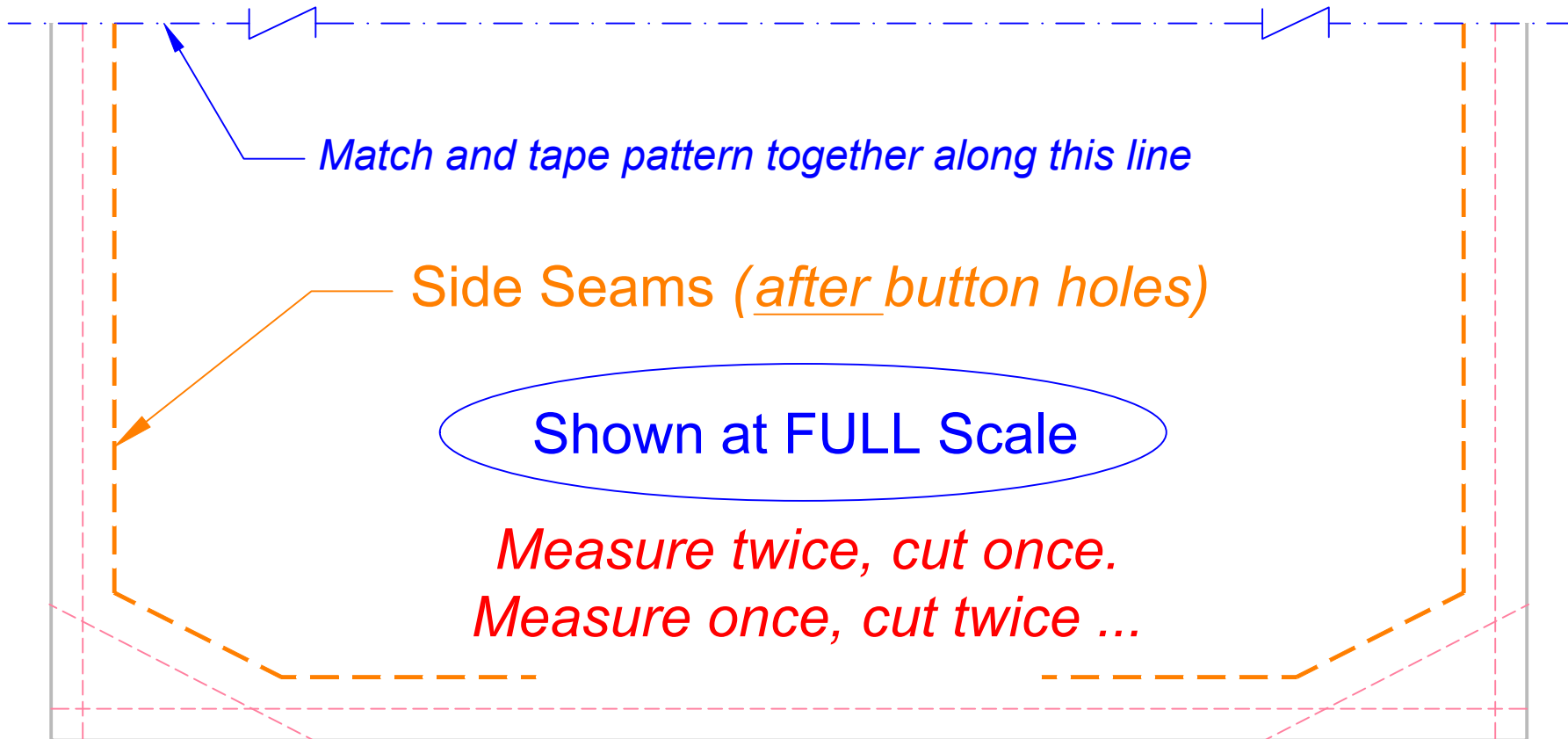
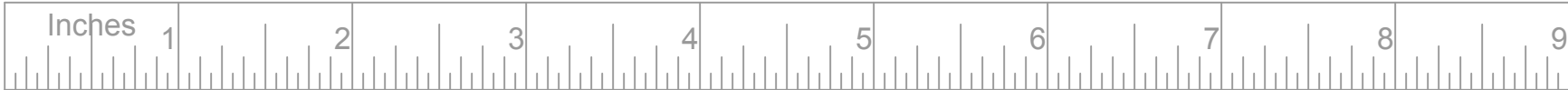
Use the pleat template to mark the pleat locations. Tack them in place and iron flat. Then sew a pin-tuck along the bottom edge of each pleat. Sew a seam down each end 1/8 inch from the edge to secure the pleats.

Lastly locate and sew four 1/4 inch button holes for the steps.

PHOTO







Match and tape pattern together along this line

Side Seams (after button holes)

Shown at FULL Scale

*Measure twice, cut once.
Measure once, cut twice ...*